

TRAVELING WAVE FIELD BASE STATION ANTENNA KIT

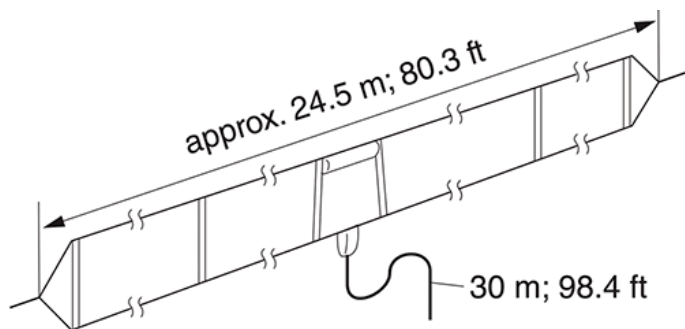


SKU#ANT-HF-FDK

OVERVIEW

The **Travelling Wave Field Base Station Antenna** is a rapid deployable wide band HF antenna. It is the ideal antenna solution for temporary base stations that needs to be deployed and moved in a short time allowing for frequency agility. The space required to deploy is a mere 25 meters and can be done by one person in less than 10 minutes once the elevation kit is installed. See Fig. 2

The Antenna Kit comes in a rugged canvas carry bag and includes the antenna, hoisting rope, wire end ropes and pegs to secure wire ends and a 30meter RG213 coaxial feeder. For elevation we recommend our rapid deployable 7meter elevation kit that comes complete in a canvas carry bag (ELK-PB-7m)



SPECIFICATIONS	DATA
Deployment:	Inverted V, Horizontal, Sloping
Power handling	150W PEP
Frequency range:	2 - 30 MHz
VSWR:	<1:2
Vertical radiation:	190 deg (Horizontal)
Horizontal radiation:	360 deg (Inverted V)
Length to deploy:	<25m
Deploy height NVIS:	3-7m
Deploy height DX:	7-15m
Deploy Angle Inverted V:	>100 degrees
Balun Connector:	PL258
Feeder and length:	30m RG213
Feeder Connectors:	PL259 / N-Type M
Total Weight:	8 kg
Accessories:	Rope, Pegs, Canvas Carry Bag
Document:	Installation guide



Fig 1. Antenna Kit

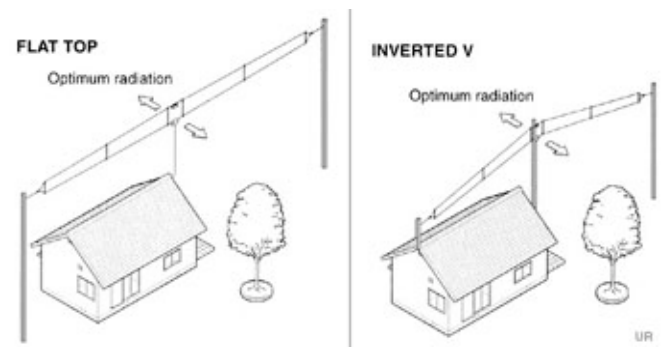


Fig 2. Antenna Deployment



SECURE AND TACTICAL COMMUNICATIONS
www.sat.com.na

2 Jakaranda Street
Suiderhof, Windhoek,
Namibia

Tel: +264-61-374700
Email: sales@sat.com.na